



MODEL 8032S

## AIRRIDE MOUNT

- Provides extremely low mounting frequencies for large test structures
- Eliminates “chatter” seen in coil springs
- Eliminates multiple mounting frequencies, since AirRide natural frequency does not change significantly with changes in load
- Compact in size, light in weight
- Pressure regulator and gauge

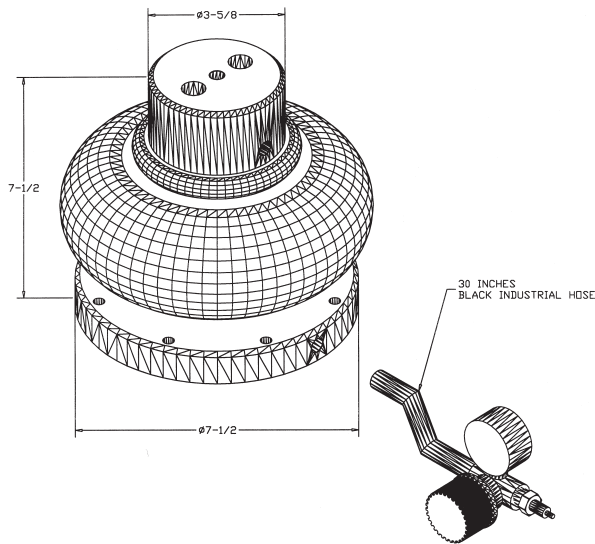
### TYPICAL APPLICATIONS

- Body-in-white testing
- Natural frequency isolation
- Critical frequency isolation
- Modal testing
- Vibration isolation

## FREQUENCY ISOLATION SIMPLIFIED

The AirRide Model 8032S provides excellent isolation and support of heavy structures during modal testing. AirRides meet the modal challenge of keeping the mounting (rigid body) frequencies well below the frequency of the first deflection mode. Used extensively in “body-in-white” vehicle modal tests, the unit offers a typical mounting frequency of 2.88 Hz for 650 lbs mass. Since the natural frequency does not vary appreciably with load, several mounts may be used to support a structure, at various points, with good agreement on overall system mounting frequency. AirRides offer the highest degree of isolation of any type of vibration isolator.

Model 8032S provides the test professional with two locations for air hose insertion. A regulator is included for accuracy. Some tests can restrict access to the AirRide, so The Modal Shop has engineered the 8032S to be flexible for testing efficiency and maximum results. Whether you are performing a ‘body-in-white’ test or simply isolating vibrations, the 8032S is durable and cost-effective for your test equipment budget.



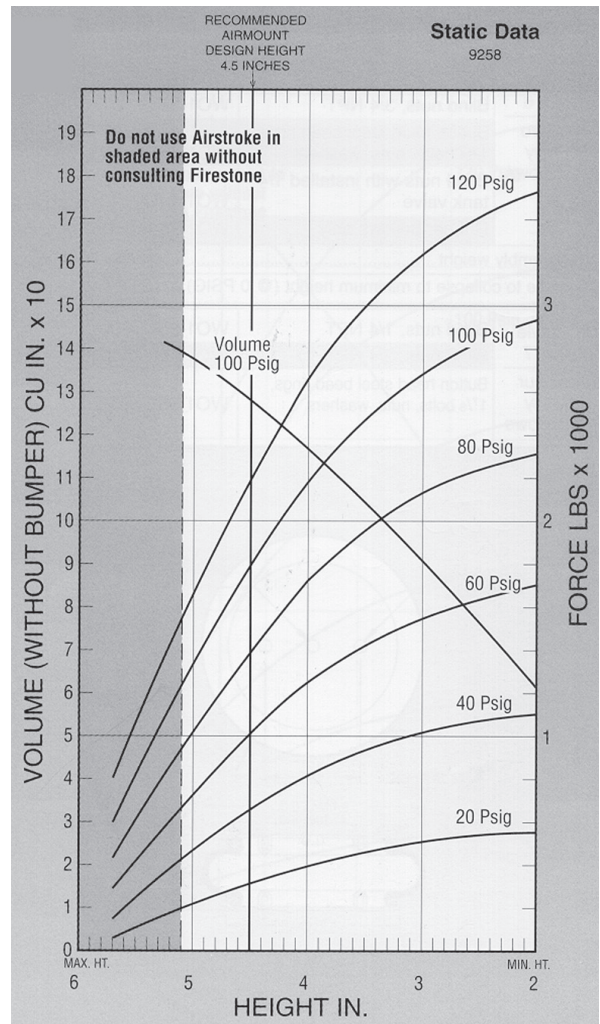
### AirRide Installation

Mounting Pillar: 1/2-13 UNC 2B x 1" depth

Mounting Base: eight 5/16" mounting holes equally spaced on a Ø6.75" bolt center.

#### Dynamic Characteristics at 4.5 in. Design Height (Required for Airmount isolator design only)

Volume @ 100 PSIG = 128 in <sup>3</sup>			Natural Frequency	
Gage Pressure (PSIG)	Load (lbs.)	Spring Rate (lbs./in.)	CPM	Hz
40	650	554	173	2.88
60	1,010	795	167	2.77
80	1,390	1,046	162	2.71
100	1,790	1,294	160	2.66



### RELATED PRODUCTS

Model	Description
2025E	The model 2025E electrodynamic modal exciter is capable of providing up to 13 lbf (58 N) of peak force excitation in a small footprint weighing just 13 lb (6 kg). With a 0.7 in (18 mm) general purpose stroke and useful frequency range beyond 9 kHz, the 2025E is suitable for structural testing and experimental modal analysis applications, including single and multiple inputs (SIMO and MIMO) using random, burst random, sine dwell, or chirp excitation signals.
2060E	The model 2060E electrodynamic modal exciter is capable of providing up to 60 lbf (267 N) of peak force excitation in a small footprint weighing just 37 pounds (17 kg). With an extended 1.4" (36mm) stroke enhancing input levels at low frequencies and useful frequency range beyond 6 kHz, the 2060E is suitable for structural testing and experimental modal analysis applications, including single and multiple inputs (SIMO and MIMO) using random, burst random, sine dwell or chirp excitation signals.
400B76	A TEDS Sensor / Computer Interface Kit, offers single mouse click read and write of TEDS data using Windows PC. Model 400B76 supports more TEDS templates than any other TEDS sensor interface kit.
2050A	Lateral Excitation Stand, offers convenient mounting of vibration shakers for structural testing.